

**CIRCUIT BREAKER, ECB SERIES**  
**EXPLOSION PROOF**

A QUALITY PRODUCT



**APPLICATION**

The enclosure with circuit breakers are suitable for  
 : hazardous areas of zone 1, 2 and zone 21, 22  
 : installation in petroleum refineries, chemical plants, storage areas where hazardous substances are handled.  
 : short circuit and overcurrent protection of service entrance, feeder, branch circuit, lighting or motor circuit and serve as a disconnecting menan.

**OPTION**

O-ring gasket  
 Drain fitting  
 Internal accessories of circuit breaker  
 : *Alarm switch* (indicates that the breaker has trioped.)  
 : *Auxiliary switch* (indicates weather the breaker is ON or OFF)  
 : Shunt trip (trip the breaker electrically by Mushroom-head push button)  
 : *Undervoltage trip* (trip the breaker automatica when the voltage drops.)  
 For rated current higher than 125AT, please  
 consult factory

**TECHNICAL DATA**

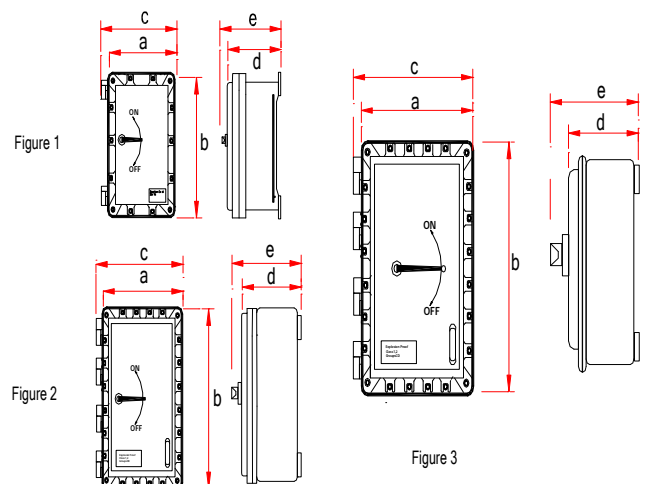
Type of Protection : Ex d IIB T6  
 : Ex II 2D Ex tD A21 IP 66  
 Conforming to : Standards IEC 60079-1 or UL 60079-0/1  
 Marking for test : Ex II2G  
 Degree of Protection : IP65/66 acc.To IEC 60529  
 Ambient Temp. (Ta) : -20° C to+ 55° C  
 Protection class for UL. : Class I, Divition1 or 2 Group.C,D  
 : Class II, Divition 1 or 2 Groups.E,F,G  
 Entries thread : NPT or ISO thread

**SPECIFICATION**

Material enclosure : Marine grade copper-free aluminium alloy with polyester powder coated, RAL.7032(Grey)  
 Sealing gasket : Silicaone - 40° C to +175° C  
 Lid screws : Stainless steel

**DIMENSION IN MM.**

Enclosure	Dimension in mm.					Figure
	a	b	c	d	e	
EJB 8126	205	313	225	145	175	1
EJB 9146H	228	363	248	148	178	1
EJB10209	254	508	274	222	252	2
EJB 162610	405	660	425	258	288	3
EJB 162910	405	725	425	260	290	3
EJB 203210	508	810	528	260	290	3
EJB 203611	519	924	539	302	332	3



**CIRCUIT BREAKER, ECB SERIES  
EXPLOSION PROOF**



A QUALITY PRODUCT

( Mitsubishi Circuit Breaker )

**CATALOGUE NUMBER**

Breaker Frame Size	Ampere Trip	Cat.,No.		Enclosure Only ✦	Interrupting Capacity (IC) ⊕
		2 - Pole	3 - Pole		
32 A. ( NF32-SW )	3	ECB27x5-003M	ECB305-003M	EJB 8106	2-Pole: 7x5 : 7.5 kA. At 230V.  3-Pole: 05 : 5kA. At 400V.
	4	ECB27X5-004M	ECB305-004M	EJB 8106	
	6	ECB27X5-006M	ECB305-006M	EJB 8106	
	10	ECB27X5-010M	ECB305-010M	EJB 8106	
	16	ECB27X5-016M	ECB305-016M	EJB 8106	
	20	ECB27X5-020M	ECB305-020M	EJB 8126	
	25	ECB27X5-025M	ECB305-025M	EJB 8126	
	32	ECB27X5-032M	ECB305-032M	EJB 8126	
63 A. ( NF63-CW, NF63-HW )	10	ECB2□□ - 010M1	ECB3□□ - 010M1	EJB 8126	2-Pole: x5 : 7.5 kA. At 230V. 25 : 25kA. At 230V.  3-Pole: 05 : 5kA. At 400V. 10 : 10kA. At 400V.
	16	ECB2□□ - 016M1	ECB3□□ - 016M1	EJB 8126	
	20	ECB2□□ - 020M1	ECB3□□ - 020M1	EJB 8126	
	25	ECB2□□ - 025M1	ECB3□□ - 025M1	EJB 8126	
	32	ECB2□□ - 032M1	ECB3□□ - 032M1	EJB 8126	
	40	ECB2□□ - 040M	ECB3□□ - 040M	EJB 8126	
	50	ECB2□□ - 050M	ECB3□□ - 050M	EJB 9146H	
	63	ECB2□□ - 063M	ECB3□□ - 063M	EJB 9146H	
125 A. ( NF125-SW, NF125-HW )	16	ECB2□□ - 016M2	ECB3□□ - 016M2	EJB 8126	2-Pole: 50 : 50kA. At 230V. 1X : 100kA. At 230V.  3-Pole: 30 : 30kA. At 400V. 50 : 50kA. At 400V.
	20	ECB2□□ - 020M2	ECB3□□ - 020M2	EJB 8126	
	32	ECB2□□ - 032M2	ECB3□□ - 032M2	EJB 8126	
	40	ECB2□□ - 040M1	ECB3□□ - 040M1	EJB 8126	
	50	ECB2□□ - 050M1	ECB3□□ - 050M1	EJB 9146H	
	63	ECB2□□ - 063M1	ECB3□□ - 063M1	EJB 9146H	
	80	ECB2□□ - 080M	ECB3□□ - 080M	EJB 9187	
	100	ECB2□□ - 100M	ECB3□□ - 100M	EJB 9187	
250 A. ( NF250-CW, NF250-SW, NF250-HW )	125	ECB2□□ - 125M1	ECB3□□ - 125M1	EJB 10209	2-Pole: 35 : 35kA. At 230V. 50 : 50kA. At 230V. 1X : 100kA. At 230V.  3-Pole: 18 : 18kA. At 400V. 30 : 30kA. At 400V. 50 : 50kA. At 400V.
	150	ECB2□□ - 150M	ECB3□□ - 150M	EJB 10209	
	175	ECB2□□ - 175M	ECB3□□ - 175M	EJB 162610	
	200	ECB2□□ - 200M	ECB3□□ - 200M	EJB 162610	
	225	ECB2□□ - 225M	ECB3□□ - 225M	EJB 162610	
	250	ECB2□□ - 250M	ECB3□□ - 250M	EJB 162610	
400 A. ( NF400-CP, NF400-SP, NF400-SEP )	250	ECB2□□ - 250M1	ECB3□□ - 250M1	EJB 162910	2-Pole: 50 : 50kA. At 230V. 85 : 85kA. At 230V.  3-Pole: 36 : 36kA. At 400V. 45 : 45kA. At 400V.
	300	ECB2□□ - 300M	ECB3□□ - 300M	EJB 162910	
	350	ECB2□□ - 350M	ECB3□□ - 350M	EJB 162910	
	400	ECB2□□ - 400M	ECB3□□ - 400M	EJB 162910	
	200-400 ADJ.	-	ECB345 - A400M	EJB 162910	
630 A. ( NF630-CP, NF630-SP, NF-630-SEP )	500	-	ECB3□□ - 500M	EJB 203210	3-Pole: 36 : 36kA. At 400V. 45 : 45kA. At 400V.
	600	-	ECB3□□ - 600M	EJB 203210	
	630	-	ECB3□□ - 630M	EJB 203210	
	300-630 ADJ.	-	ECB345 - A630M	EJB 203210	
800 A. ( NF800-CEP, NF800-SEP )	600-800 ADJ.	-	ECB336 - A800M	EJB 203611	3-Pole: 36 : 36kA. At 400V. 45 : 45kA. At 400V.
	400-800 ADJ.	-	ECB345 - A800M	EJB 203611	

✦ Enclosure dimensions, refer on page 12

⊕ Specify IC code in □□ of Cat.,No.

**CIRCUIT BREAKER, ECB SERIES  
EXPLOSION PROOF**



A QUALITY PRODUCT

( ABB Circuit Breaker )

Breaker Frame Size	Ampere Trip	Cat.,No.		Enclosure Only ★	Interrupting Capacity (IC) ⊕
		2 - Pole	3 - Pole		
125 A. (S1B, S1N)	10	ECB2 <input type="checkbox"/> <input type="checkbox"/> - 010A	ECB3 <input type="checkbox"/> <input type="checkbox"/> - 010A	EJB 8126	<b>2-Pole:</b> 25: 25kA.at 220/230V. 40: 40kA.at 220/230V.  <b>3-Pole:</b> 16: 16kA.at 380/415V. 25: 25kA.at 380/415V.
	16	ECB2 <input type="checkbox"/> <input type="checkbox"/> - 016A	ECB3 <input type="checkbox"/> <input type="checkbox"/> - 016A	EJB 8126	
	20	ECB2 <input type="checkbox"/> <input type="checkbox"/> - 020A	ECB3 <input type="checkbox"/> <input type="checkbox"/> - 020A	EJB 8126	
	25	ECB2 <input type="checkbox"/> <input type="checkbox"/> - 025A	ECB3 <input type="checkbox"/> <input type="checkbox"/> - 025A	EJB 8126	
	32	ECB2 <input type="checkbox"/> <input type="checkbox"/> - 032A	ECB3 <input type="checkbox"/> <input type="checkbox"/> - 032A	EJB 8126	
	40	ECB2 <input type="checkbox"/> <input type="checkbox"/> - 040A	ECB3 <input type="checkbox"/> <input type="checkbox"/> - 040A	EJB 8126	
	50	ECB2 <input type="checkbox"/> <input type="checkbox"/> - 050A	ECB3 <input type="checkbox"/> <input type="checkbox"/> - 050A	EJB 9146H	
	63	ECB2 <input type="checkbox"/> <input type="checkbox"/> - 063A	ECB3 <input type="checkbox"/> <input type="checkbox"/> - 063A	EJB 9146H	
	80	ECB2 <input type="checkbox"/> <input type="checkbox"/> - 080A	ECB3 <input type="checkbox"/> <input type="checkbox"/> - 080A	EJB 9146H	
	100	ECB2 <input type="checkbox"/> <input type="checkbox"/> - 100A	ECB3 <input type="checkbox"/> <input type="checkbox"/> - 100A	EJB 9146H	
	125	ECB2 <input type="checkbox"/> <input type="checkbox"/> - 125A	ECB3 <input type="checkbox"/> <input type="checkbox"/> - 125A	EJB 9146H	
160 A. (S2N)	16	ECB250 - 016A1	ECB335 - 016A1	EJB 8126	<b>2-Pole:</b> 50: 50kA.at 220/230V.  <b>3-Pole:</b> 35: 35kA.at 380/415V.
	20	ECB250 - 020A1	ECB335 - 020A1	EJB 8126	
	25	ECB250 - 025A1	ECB335 - 025A1	EJB 8126	
	32	ECB250 - 032A1	ECB335 - 032A1	EJB 8126	
	40	ECB250 - 040A1	ECB335 - 040A1	EJB 8126	
	50	ECB250 - 050A1	ECB335 - 050A1	EJB 9146H	
	63	ECB250 - 063A1	ECB335 - 063A1	EJB 9146H	
	80	ECB250 - 080A1	ECB335 - 080A1	EJB 9146H	
	100	ECB250 - 100A1	ECB335 - 100A1	EJB 9146H	
	125	ECB250 - 125A1	ECB335 - 125A1	EJB 9146H	
160	ECB250 - 160A	ECB335 - 160A	EJB 9146H		
160 A. (S3H)	50	ECB21H - 063A2	ECB365 - 050A2	EJB 9146H	<b>2-Pole:</b> 1H : 100kA.at 220/230V.  <b>3-Pole:</b> 65: 65kA.at 380/415V.
	80	ECB21H - 080A2	ECB365 - 080A2	EJB 9146H	
	100	ECB21H - 100A2	ECB365 - 100A2	EJB 9146H	
	125	ECB21H - 125A2	ECB365 - 125A2	EJB 10209	
	160	ECB21H - 160A2	ECB365 - 160A2	EJB 10209	
250 A. (4N, S4H, S4L)	160	ECB2 <input type="checkbox"/> <input type="checkbox"/> - 160A2	ECB3 <input type="checkbox"/> <input type="checkbox"/> - 160A2	EJB 162610	<b>2-Pole:</b> 65: 65kA.at 380/415V. 1H : 100kA.at 220/230V.
	250	ECB2 <input type="checkbox"/> <input type="checkbox"/> - 160A	ECB3 <input type="checkbox"/> <input type="checkbox"/> - 160A	EJB 162610	
400 A. (S5N, S5H, S5L)	320	ECB2 <input type="checkbox"/> <input type="checkbox"/> - 320A	ECB3 <input type="checkbox"/> <input type="checkbox"/> - 320A	EJB 162910	2H : 200kA.at 220/230V.  <b>3-Pole:</b> 35: 35kA.at 380/415V.
	400	ECB2 <input type="checkbox"/> <input type="checkbox"/> - 400A	ECB3 <input type="checkbox"/> <input type="checkbox"/> - 400A	EJB 162910	
630 A. (S5N, S5H, S5L)	630	-	ECB3 <input type="checkbox"/> <input type="checkbox"/> - 630A	EJB 203210	65: 65kA.at 380/415V. 1H : 100kA.at 380/415V.
800 A. (S6N, S6H, S6L)	800	-	ECB3 <input type="checkbox"/> <input type="checkbox"/> - 800A	EJB 203210	

★ Enclosure dimensions, refer on page 12

⊕ Specify IC code in  of Cat.,No.