

**ROTATING BEACON DBN SERIES  
EXPLOSION PROOF**



A QUALITY PRODUCT

**APPLICATION**

The DBN rotating beacons are suitable to use in process area where need a visual signal for communication such as to warn of unsafe condition. They are designed for zone 1, 2 and 21, 22 hazardous areas.

**TECHNICAL DATA**

Type of Protection : Ex d IIB T6  
 Conforming to : Standards IEC 60079-0 to 1 or UL 60079-1  
 Marking for test : Ex II2G  
 Degree of Protection : IP 65 / 66 acc. To IEC 60529  
 Ambient Temp. (Ta) : -20° C to + 55° C  
 Connection : L, N and E : for 1-4 Sqmm. cable  
 Protection class for UL : Class I, Division 1 or 2 Group C, D  
 : Class II, Division 1 or 2 Groups E, F, G  
 Protection class for IEC : Zone 1 and Zone 2



**SPECIFICATION**

Body : Marine Grade Copper-free aluminium alloy with polyester powder coated RAL7032 (GREY)  
 Globe : Boro-silicate glass  
 Guard and screws : Stainless steel  
 Filter : Plastic in red colour

**CATALOGUE NUMBER**

Lamp Watts	Cat., No.		
	Pendant	Bracket	Ceiling
10 ✨	DBNP10 <input type="checkbox"/>	DBNB10 <input type="checkbox"/>	DBNC10 <input type="checkbox"/>
30 ✨	DBNP30 <input type="checkbox"/>	DBNB30 <input type="checkbox"/>	DBNC30 <input type="checkbox"/>

**NOTE**

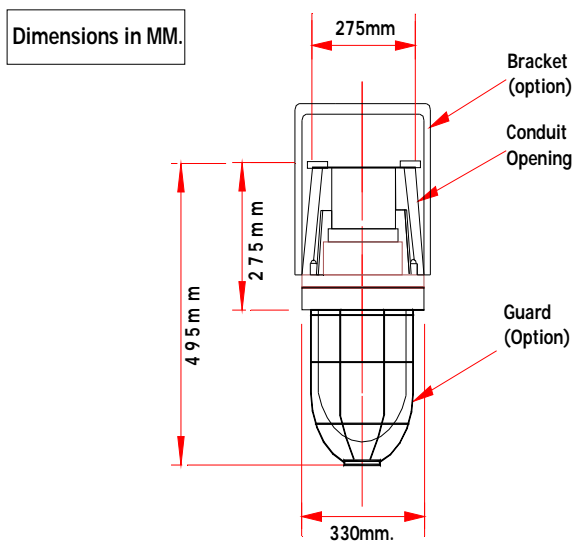
- Adding suffix for lens colour to Cat., No.  
 R - Red, O - Orange, G - Green, B - Blue
- ✨ 12V.DC., 24V.DC., 110V.AC., 220V.AC.

**ROTATING BEACON DBN SERIES  
EXPLOSION PROOF**

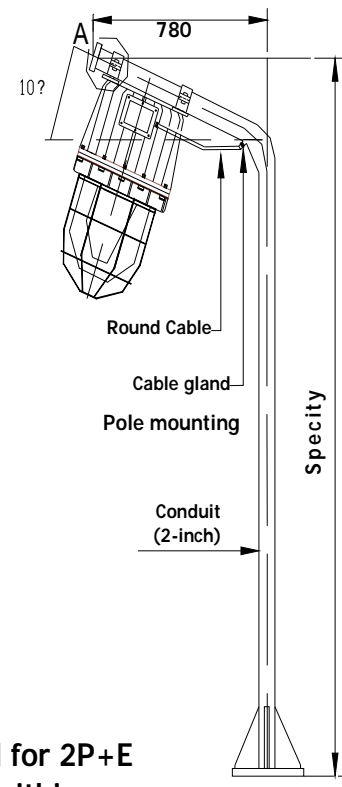
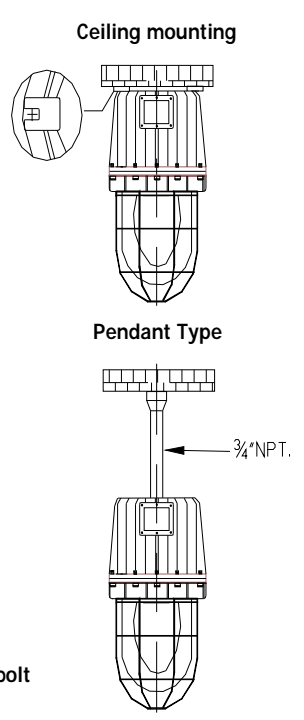
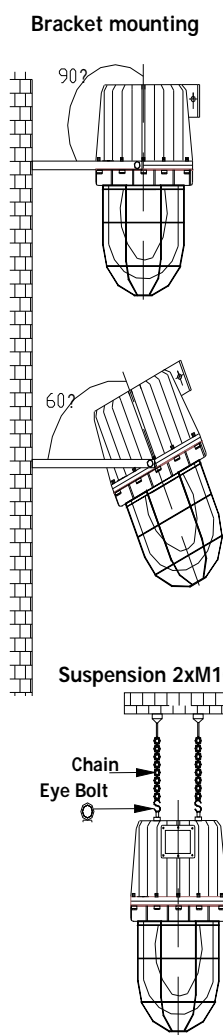


**BELGIUM**

A QUALITY PRODUCT



**INSTALLATION INFORMATION**



Terminal block is provided for 2P+E 4Squmm. incoming cable within connection box.