

FLUORESCENT FIXTURES FOR HAZARDOUS LOCATIONS EXPLOSION PROOF



EBLG236 SERIES

TECHNICAL DATA

Type of Protection	: Ex de IIB T6
Conforming to	: Standards IEC 60079-0/1 or UL 60079-1
Marking for test	: Ex II2G
Degree of Protection	: IP66/67 acc.To IEC 60529
Ambient Temp. (Ta)	: -20° C to+ 55° C
Rated Voltage	: 220-240V.AC. 50/60Hz.
Ballast)	: Electronic ballast for bi-pin fluorescent lamp (T8),(T5)
	: THD ≤ 10% P.F. ≥ 0.98
Enclosure entry	: 3/4" NPT.
Protection class for UL	: Class I, Division 1 or 2 Group.C,D
	: Class II, Division 1 or 2 Groups.E,F,G
	: Class III
Protection class for IEC	: Zone1 and Zone 2
mounting	: Ceiling Type

SPECIFICATION

Body material	: marine grade copper-free aluminium with polyester power coated RAL7032 (Grey)
Tube	: Borosilicate glass
Reflector (Option)	: High grade aluminium anodised reflector
Guard (Option)	: Stainless steel

OPETION

Reflector (anodised)	- R
Guard (Stainless steel)	- G
Emergency power pack	- E
Gasket Seal at cover part for IP 65	

CATALOGUE NUMBERS

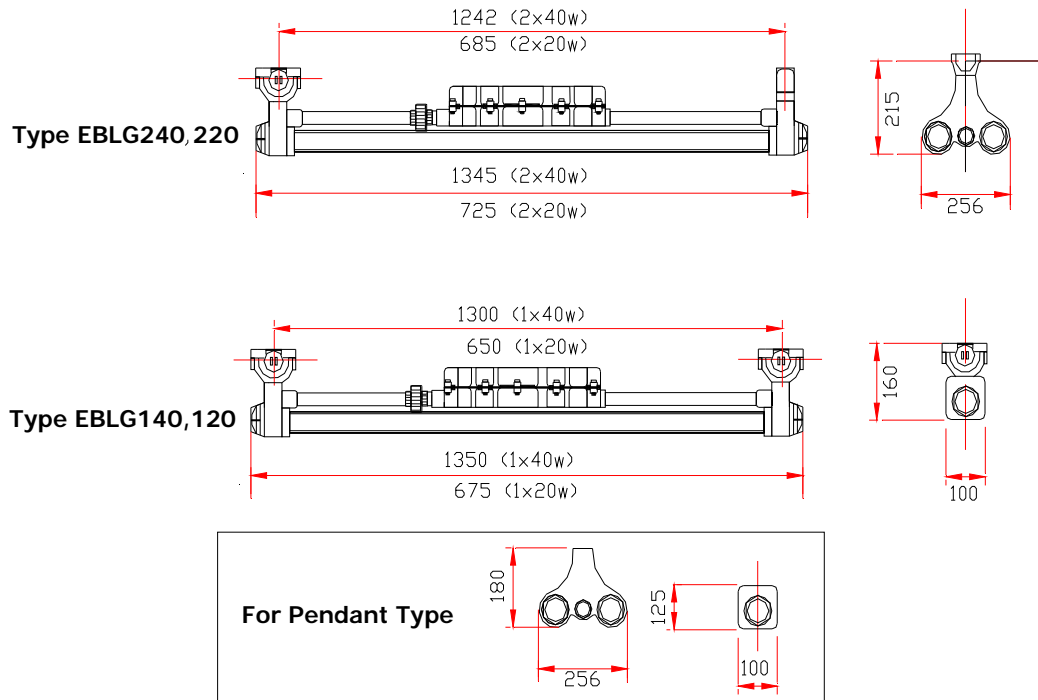
Lamp Watts:	No Guard Cat.,No.	With Guard Cat.,No.	Temp.Class	
			Ta 40 C	Ta 55 C
1 x 18w.	EBLG118	EBLG118G	T6	T6
1 x 36w.	EBLG136	EBLG136G		
1 x 28 w.	EBLG128	EBLG128G		
2 X 18W.	EBLG218	EBLG218G		
2 X 28 W	EBLG228	EBLG228G		
2 X 32W.	EBLG232	EBLG232G		
2 X 36W.	EBLG236	EBLG236G		



A QUALITY PRODUCT

**FLUORESCENT FIXTURES FOR
HAZARDOUS LOCATIONS
EXPLOSION PROOF**

DIMENSION IN MM.



TYPICAL INSTALLATIONS

