

BELGIUM 

A QUALITY PRODUCT

H.I.D. (High Intensity Discharge) Wellglass Lighting Fixture,

**BMV1, BMH1, BPS1, BLED Series
EXPLOSION PROOF**


TECHNICAL DATA

Type of Protection	: ExdIIB T3-T5 or T6
Conforming to	: Standards IEC 60079-0 to 1 or UL 60079-1
Marking for test	: Ex II2G
Degree of Protection	: IP66 acc.To IEC 60529, EN 60529
Ambient Temp. (Ta)	: -20°C to + 40°C or + 55°C
Lamp Holder	: E27 or E40
Connection	: L, N and E for 1 - 4 Squmm cable
Entries thread	: 2 hold for NPT or ISO Thread 1DRAIN
Rated Voltage	: 220/ 230V.AC. 50Hz.
Protection Class	: Class I, Div, 1, 2 Groups C,D
	: Class II, Div. 1, 2 Groups E,F,G
	: Zone 1 and Zone 2

add Suffix Cat.,No.

: External reflector aluminium

- R

: Basket guard Stainless steel

- S

SPECIAL MOUNTING

: Bracket mount (Stainless steel)

: 2 x M10 eye bolts for suspension

: Clamps for 2" dia.of Pole mount.

SPECIFICATION

Body material	: Marine Grade Copper-free aluminium alloy with polyester powder coated RAL7032 (GREY)
Glass Globe	: Borosilicate glass
Basket guard	: Stainless steel
Sealing gasket	: Silicone -40°C to +175°C

CATALOGUE NUMBERS

Lamp Type	Cat.,No.	Temp.		Class	Emtries	Thread	Dimension in MM.				Wiring Diagram	Weight (kgs.)
		Ta 40 C	Ta 55 C				NPT(inch)	ISO	A	B		
Mercury Vapor												
HPL-N125W	BMV1- 125C	T5	T4	T4	1/2"	M20 x 1.5	275	355	195	210	Diagram - B	14.00
HPL-N250W	BMV1- 250C	T4	T4	T4	3/4"	M25 X 1.5	330	495	275	275	Diagram - B	23.00
HPL-N400W	BMV1- 400C	T4	T3	T3	3/4"	M25 X 1.5	330	495	275	275	Diagram - B	24.20
High Pressure Sodium												
SON-70WI	BPS1- 70C	T5	T5	T5	1/2"	M20 x 1.5	275	355	195	210	Diagram - B	14.00
SON-150W	BPS1- 150C	T5	T5	T5	3/4"	M25 X 1.5	330	540	320	275	Diagram - A	18.20
SON-250W	BPS1- 250C	T4	T4	T4	3/4"	M25 X 1.5	330	540	320	275	Diagram - A	25.50
SON-400W	BPS1- 400C	T4	T3	T3	3/4"	M25 X 1.5	330	540	320	275	Diagram - A	26.50
Metal Halide												
HPI PLUS 250W BU	BMH1- 250C	T4	T4	T4	3/4"	M25 X 1.5	330	540	320	275	Diagram - A	23.80
HPI PLUS 400W BUS	BMH1- 400C	T4	T3	T3	3/4"	M25 X 1.5	330	540	320	275	Diagram - B	25.50
LED LAMP												
150 W	BLED-150C	T4	T4	T4	3/4"	M25 X 1.5	330	540	320	275	Direct	22.4
200W	BLED-200C	T4	T4	T4	3/4"	M25 X 1.5	330	540	320	275	Direct	22.6
300W	BLED-300C	T4	T3	T3	3/4"	M25 X 1.5	330	540	320	275	Direct	23



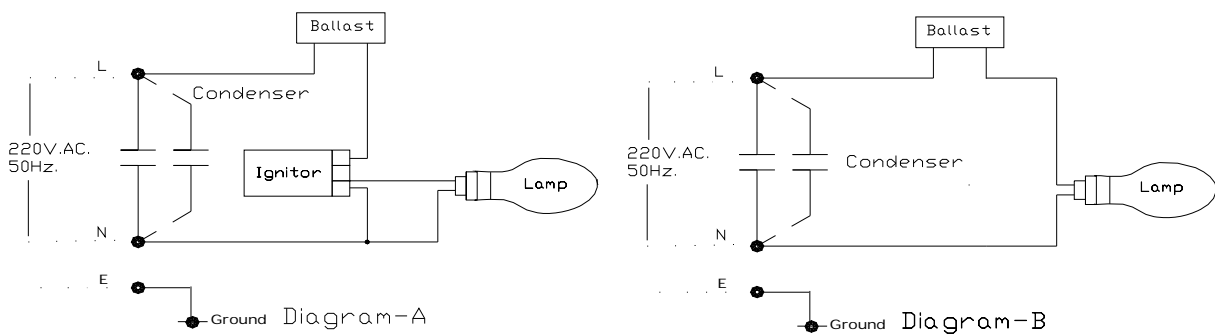
A QUALITY PRODUCT

H.I.D. (High Intensity Discharge) Wellglass Lighting Fixture, BMV1, BMH1, BPS1, BLED Series EXPLOSION PROOF



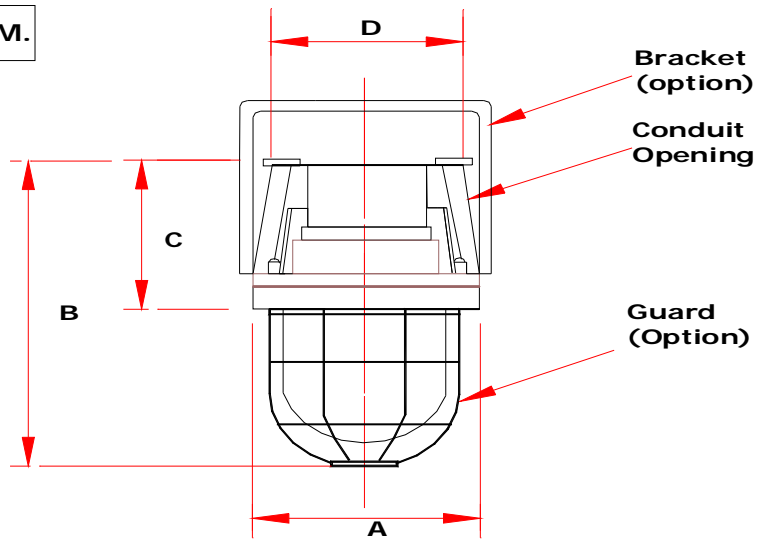
WIRING DIAGRAM:

Wiring Diagram:



DIMENSIONS IN MM.

Dimensions in MM.



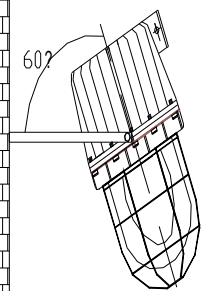
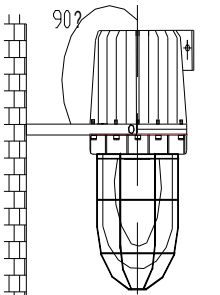


H.I.D. (High Intensity Discharge) Wellglass Lighting Fixture, BMV1, BMH1, BPS1, BLED Series EXPLOSION PROOF

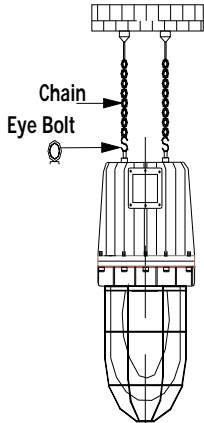
A QUALITY PRODUCT

INSTALLATION INFORMATION

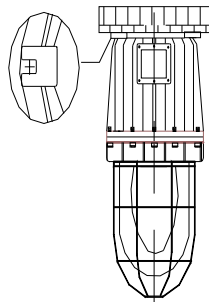
Bracket mounting



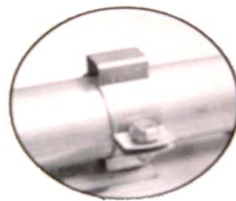
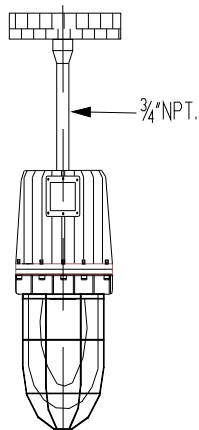
Suspension 2xM10 eye bolt



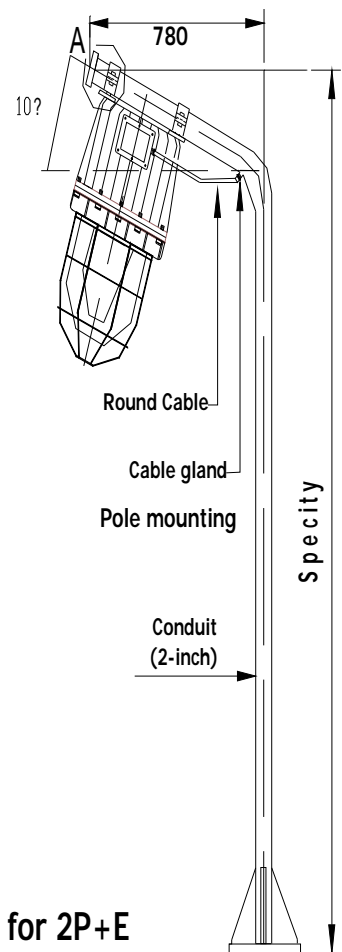
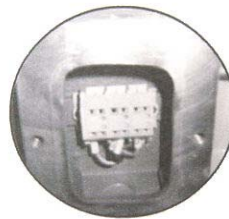
Ceiling mounting



Pendant Type



Detail-A



Terminal block is provided for 2P+E 4Squmm. incoming cable within connection box.