

**PILOT LIGHT, EPL Series
EXPLOSION PROOF**

A QUALITY PRODUCT

TECHNICAL DATA

- Type of Protection : Ex d IIB T6
- Conforming to : Standards IEC 60079-0/1 or UL 60079-0/1
- Marking for test : Ex II2G
- Degree of Protection : IP65/66 acc.To IEC 60529
- Ambient Temp. (Ta) : -20° C to+ 55° C
- Protection class for UL. : Class I, Division1 or 2 Group.C,D
: Class II, Division 1 or 2 Groups.E,F,G
- Protection class for IEC : Zone1and Zone 2



SPECIFICATION

- Body and cover : Copper-free aluminium
- Bolts : Stainless steel
- Lamp's guard : Brass (Chormium plated)

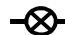

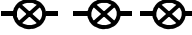
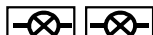

OPTIONS

: Silicone rubble for installation outdoor IP66 (Type S)

- Specify operating voltage code for lamp's transformer to Cat.,No.
1 - 110V.AC., 2 - 220V.AC., 3 - 380V.AC.
4 - 12V.DC., 5 - 24V.DC.

- ✦ Specify lens colour code to Cat.,No.
R - Red., G - Green, O - Orange,
B - Blue, W - White

CATALOGUE NUMBER

Number of Lamps	Symbol	Nameplate Marking	Dead-end (1 hub)	Through-feed (2 hub)
Single Gang				
1		<i>Specify for</i> RUN ,STOP, ON, OFF	EPL1-1 <input type="checkbox"/> ✦	EPL1B-1 <input type="checkbox"/> ✦
2			EPL1-2 <input type="checkbox"/> ✦ ✦	EPL1B-2 <input type="checkbox"/> ✦ ✦
3			EPL1-3 <input type="checkbox"/> ✦ ✦ ✦	EPL1B-3 <input type="checkbox"/> ✦ ✦ ✦
Two Gangs				
2		<i>Specify for</i> RUN ,STOP, ON, OFF	EPL2-2 <input type="checkbox"/> ✦ ✦	EPL2B-2 <input type="checkbox"/> ✦ ✦
4			EPL2-4 <input type="checkbox"/> ✦ ✦ ✦ ✦	EPL2B-4 <input type="checkbox"/> ✦ ✦ ✦ ✦