

FLEXIBLE COUPLING , EFC SERIES EXPLOSION PROOF



A QUALITY PRODUCT

APPLICATION

The EFC flexible couplings are used in a conduit system for zone 1,2 and 22 hazardous areas to

: isolate conduit from vibration or movement of connected equipment.

: accomplish difficult bends in place of rigid conduit.

TECHNICAL DATA

Explosion protection : Ex II 2 G Ex d IIB

Compliance with : IEC 60079-0/ 1 , EN61241-0/ 1

Degree of protection : IP54 acc to EN 60529 / IEC 60529

Ambient Temp. (Ta) : -20° C to + 75 °C T5, T6

Entries thread : NPT (optional ISO thread)

Protection class for UL : Class I, Division 1 or 2 Group.B,C,D

: Class II, Division 1 or 2 Groups.E,F,G

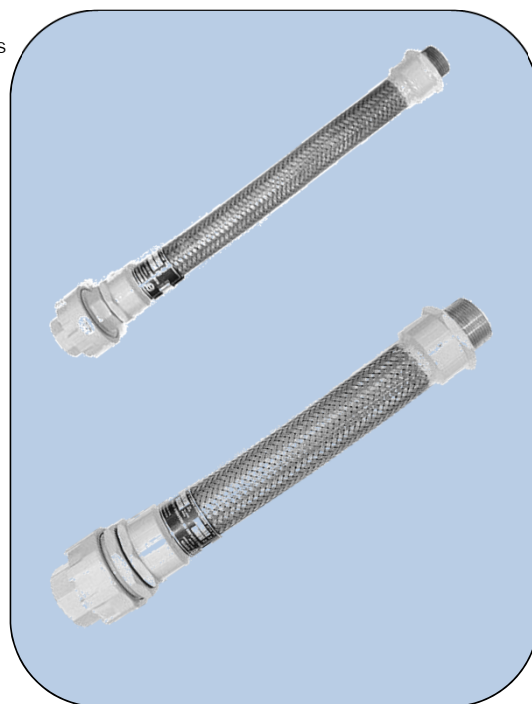
SPECIFICATION

Inner flexible tube : Stainless steel

Outer wire braid : Stainless steel

Unions : Marine grade copper-free aluminium alloy
with polyester powder coated, RAL 7032 (grey)

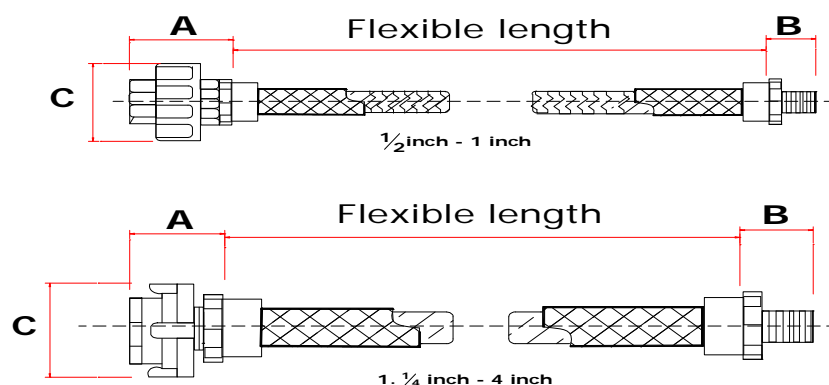
Male threaded fitting : Bronze with chromium plated or polyester powder



OPTION

: One removable male nipple

CATALOGUE NUMBER AND DIMENSION



Flexible Sizes	Catalogue Number				Dimension in mm.											
	30 cm	50 cm	60 cm	100 cm	30 Cm.			50 Cm.			60 Cm.			100 Cm.		
	Flexible length	Flexible length	Flexible length	Flexible length	A	B	C	A	B	C	A	B	C	A	B	C
1/2"	ECF 130	ECF 150	ECF 160	ECF 1100	56	20	49	56	20	49	56	20	49	56	20	49
3/4"	ECF 230	ECF 250	ECF 260	ECF 2100	58	21	55	58	21	55	58	21	55	58	21	55
1"	ECF 330	ECF 350	ECF 360	ECF 3100	65	27	63	68	27	63	68	27	63	68	27	63
1.1/4"	ECF 430	ECF 450	ECF 460	ECF 4100	65	29	71	65	29	71	65	29	71	65	29	71
1.1/2"	ECF 530	ECF 550	ECF 560	ECF 5100	75	31	83	75	31	83	75	31	83	75	31	83
2"	ECF 630	ECF 650	ECF 660	ECF 6100	83	33	104	83	33	104	83	33	104	83	33	104
2.1/2"	ECF 730	ECF 750	ECF 760	ECF 7100	83	39	127	83	39	127	83	39	127	83	39	127
3"	ECF 830	ECF 850	ECF 860	ECF 8100	93	39	135	93	39	135	93	39	135	93	39	135
3.1/2"	ECF 930	ECF 950	ECF 960	ECF 9100	95	43	158	95	43	158	95	43	158	95	43	158
4"	ECF 1030	ECF 1050	ECF 1060	ECF 10100	95	43	163	95	43	163	95	43	163	95	43	163