

RECEPTACLE AND PLUG , BRCS AND BPJ Series EXPLOSION PROOF

BELGIUM



A QUALITY PRODUCT



APPLICATION

The BRCS receptacle with BPJ Plug are used for power supply to portable electrical equipments or motors. They are designed for zone 2 and zone 22 hazardous areas.

TECHNICAL DATA

Type of Protection	: Ex d IIA T6
Conforming to	: Standards IEC 60079-0 /1
Marking for test	: Ex II2G 15/14 : Ex II2 D tD A22 IP54
Ambient temp.(ta)	: -20° C to +55° C temp. class T4
Degree of Protection	: IP65 acc.To IEC 60529
Protection class for UL:	: Class I, Division 2 Group.C,D : Class II, Division 1 or 2 Groups.E,F,G
Protection class for IEC:	: Zone 2

CAUTION

To reduce the risk of ignition, do not use receptacles and plugs in locations that contain electrically conductive dusts.

SPECIFICATION

Body, cover and operating handle	: Marine grade copper-free aluminium with polyester powder coated,RAL7032 (grey)
Bolts and mechanism	: Stainless steel

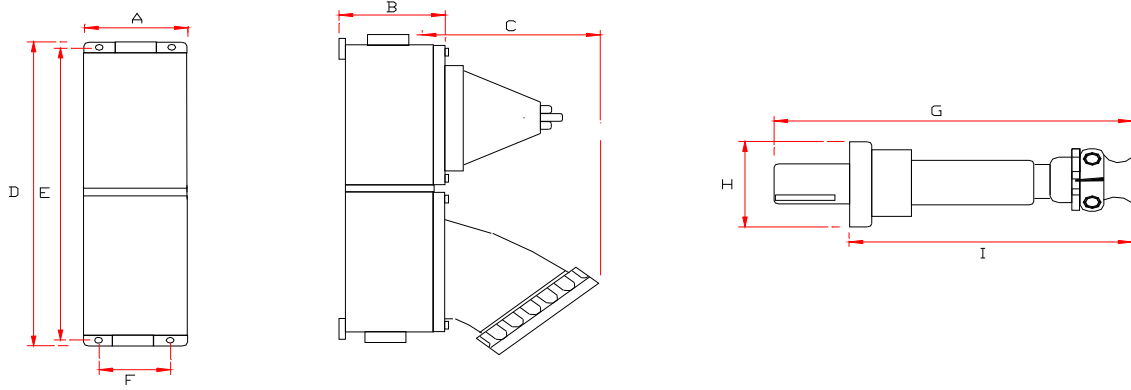
CATALOGUE NUMBER AND DIMENSION IN MM

Amp. Trip and Switches 2P220V	Hub Size NPT.	Cat.No. Receptacles and Switch	Cat.No. Plug
1PH / 2W / 3P (2P+G)			
10	3/4"	BRCS 2110	BPJ 2110
15	3/4"	BRCS 2115	BPJ 2115
20	3/4"	BRCS 2120	BPJ 2120
30	3/4"	BRCS 2130	BPJ 2130

RECEPTACLE AND PLUG , BRCS AND BPJ Series
EXPLOSION PROOF



DIMENSION IN MM.



Amp. Trip Switch	Dimension								
	A	B	C	D	E	F	G	H	I
1PH / 2W / 3P (2P+G)									
10	90	73	162	177	155	70	153	75	110
15	90	73	162	177	155	70	153	75	110
20	90	73	162	177	155	70	153	75	110
30	90	73	162	177	155	70	153	75	110