

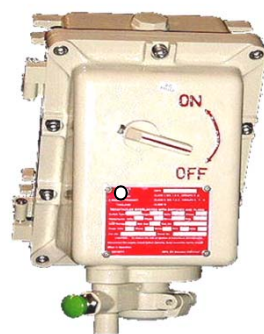
RECEPTACLE INTERLOCKED WITH CIRCUIT BREAKERS AND PLUG ERCB AND EPG SERIES EXPLOSION PROOF



A QUALITY PRODUCT

APPLICATION

The ERCB receptacle with EPG Plug are used for power supply to portable electrical equipments or motors. They are designed for zone1, 2 and zone 22 hazardous areas.



APPLICATION

Type of Protection	: Ex d IIA T6
Conforming to	: Standards IEC 60079-0 /1 or UL 60079-1
Marking for test	: Ex II2G
Degree of Protection	: IP66 acc.To IEC 60529
Rated Voltage	: up to 400 V
Rated current	: up to 32 A.
Electrical rating range	: 16 - 32A. 220 - 380 V.AC.
Protection class for UL.	: Class I, Division1 or 2 Group.C,D : Class II, Division 1 or 2 Groups.E,F,G
Protection class for IEC	: Zone1and Zone 2
Ambient temp.(ta)	: -20°C to +55°C temp. class T4

CAUTION

To reduce the risk of ignition, do not use receptacles and plugs in locations that contain electrically conductive dusts.

SPECIFICATION

Body, cover and operating handle	: Marine grade copper-free aluminium with polyester powder coated,RAL7032 (grey)
Bolts and mechanism	: Stainless steel

CATALOGUE NUMBER

Phase/Wire/Pole	Circuit Breaker(CB.) Hub Size*1			Receptacle Cat.,No. *2		Plug Cat..No.*3
	AT	Pole	NPT(inch)	Mitsubishi CB.	ABB CB.	
1PH/2W/3P 220VAC.	16	2	3/4,1	ERCB316M- <input type="checkbox"/>	ERCB316A- <input type="checkbox"/>	EPG316- <input type="checkbox"/>
	20	2	3/4,1	ERCB320M- <input type="checkbox"/>	ERCB320A- <input type="checkbox"/>	EPG320- <input type="checkbox"/>
	25	2	3/4,1	ERCB325M- <input type="checkbox"/>	ERCB325A- <input type="checkbox"/>	EPG325- <input type="checkbox"/>
	32	2	3/4,1	ERCB332M- <input type="checkbox"/>	ERCB332A- <input type="checkbox"/>	EPG332- <input type="checkbox"/>
3PH/3W/4P 380VAC.	16	3	3/4,1	ERCB416M- <input type="checkbox"/>	ERCB416A- <input type="checkbox"/>	EPG416- <input type="checkbox"/>
	20	3	3/4,1	ERCB420M- <input type="checkbox"/>	ERCB420A- <input type="checkbox"/>	EPG420- <input type="checkbox"/>
	25	3	3/4,1	ERCB425M- <input type="checkbox"/>	ERCB425A- <input type="checkbox"/>	EPG425- <input type="checkbox"/>
	32	3	3/4,1	ERCB432M- <input type="checkbox"/>	ERCB432A- <input type="checkbox"/>	EPG432- <input type="checkbox"/>

Options :

Equiped with drain fitting, add suffix - D to Receptacles Cat.,No.

* 1 The conduit hub size for receptacle box shall be selected only 1 size as per recommendation.

* 2 Add suffix in for conduit hub size to Cat. No.
1 - 1/2 inch NPT 2 - 3/4 inch NPT 3 - 1 inch NPT

* 3 Add suffix in for cable O.D. used to Cat. No.
14 - (9-14mm.) 19 - (15-19mm.) 22 - (20-22mm.) 24 - (23-24mm.)

**RECEPTACLE INTERLOCKED WITH CIRCUIT BREAKERS
AND PLUG ERCEB AND EPG SERIES
EXPLOSION PROOF**

BELGIUM

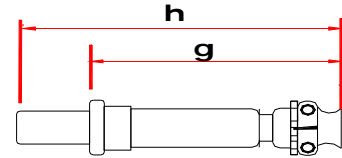
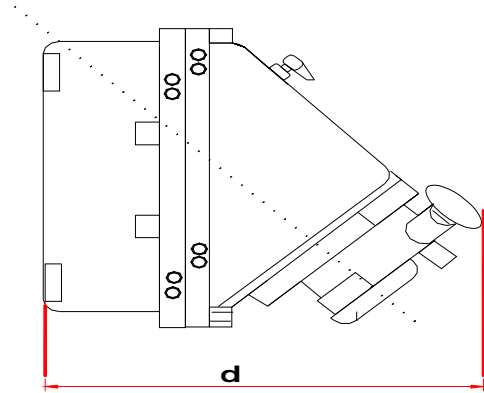
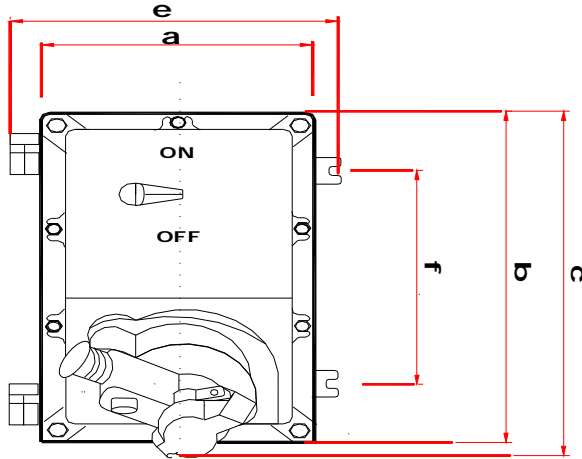


A QUALITY PRODUCT

DIMENSION IN MM.

Dimension : IN MM.

**ERCB Receptacles Interlocked with
Circuit Breakers**



**EPJ
Plugs**

Circuit Breaker 2P,3P	Dimension in mm.							
Amp. Trip	a	b	c	d	e	f	g	h
16	210	310	325	300	230	215	170	205
20	210	310	325	300	230	215	170	205
25	210	310	325	300	230	215	170	205
32	210	310	325	300	230	215	170	205