

RECEPTACLE AND PLUG , WRC AND WPJ Series

EXPLOSION PROOF

BELGIUM



A QUALITY PRODUCT



APPLICATION

The WRC receptacle with WPJ Plug are used for power supply to portable electrical equipments or motors. They are designed for zone 2 and zone 22 hazardous areas.

TECHNICAL DATA

Type of Protection	: Ex d IIA T6
Conforming to	: Standards IEC 60079-0 /1 or UL 60079-1
Marking for test	: Ex II2G T5/T4
	: Ex II2 D tD A22 IP54
Ambient temp.(ta)	: -20° C to +55° C temp. class T4
Degree of Protection	: IP67 acc.To IEC 60529
Protection class for UL.	: Class I, Division 2 Group.C,D
	: Class II, Division 1 or 2 Groups.E,F,G
Protection class for IEC	: Zone 2

CAUTION

To reduce the risk of ignition, do not use receptacles and plugs in locations that contain electrically conductive dusts.

SPECIFICATION

Body and Cover	: Polycarbonate
Bolts and mechanism	: steel

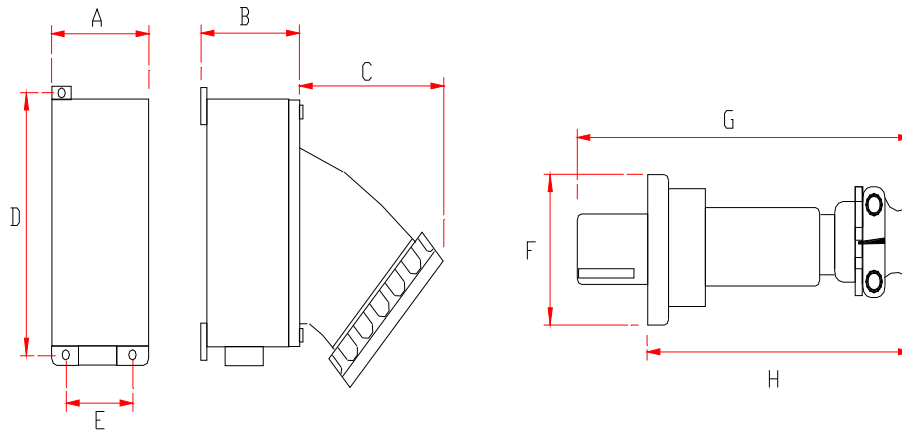
CATALOGUE NUMBER

Phase/Wire/Pole	Ampere Rating	Volt Rating	Hub Size NPT(inch)	Receptacle Cat.,No.			Plug Cat..No.
				One Gang		Two Gang	
1PH/2W/3P (2P + G)	16	220	3/4"	WRC 121-16		-	WPJ 2116
	20	220	3/4"	WRC 121-20		-	WPJ 2120
	32	220	3/4"	WRC 121-32		-	WPJ 2132
	63	220	1.1/4"	WRC 121-63		-	WPJ 2163
3PH/3W/4P (3P + G)	16	380	3/4"	WRC 131-16		-	WPJ 3116
	20	380	3/4"	WRC 131-20		-	WPJ 3120
	32	380	3/4"	WRC 131-32		-	WPJ 3132
	63	380	1.1/4"	WRC 131-63		-	WPJ 3163

**RECEPTACLE AND PLUG , WRC AND WPJ Series
EXPLOSION PROOF**



DIMENSION IN MM.



Amp. Trip	ONE GANG							
	A	B	C	D	E	F	G	H
1PH / 2W / 3P (2P+G)								
16	82	90	50	52	68	70	125	90
20	82	90	50	52	68	70	125	90
32	82	90	50	52	68	70	125	90
63	110	150	120	100	90	137	250	140
3PH / 3W / 4P (3P+G)								
16	82	90	50	52	68	70	125	90
20	82	90	50	52	68	70	125	90
32	82	90	50	52	68	70	125	90
63	110	150	120	100	90	137	250	140