

NIPPLE ENP SERIES EXPLOSION PROOF



BELGIUM

A QUALITY PRODUCT

TECHNICAL DATA

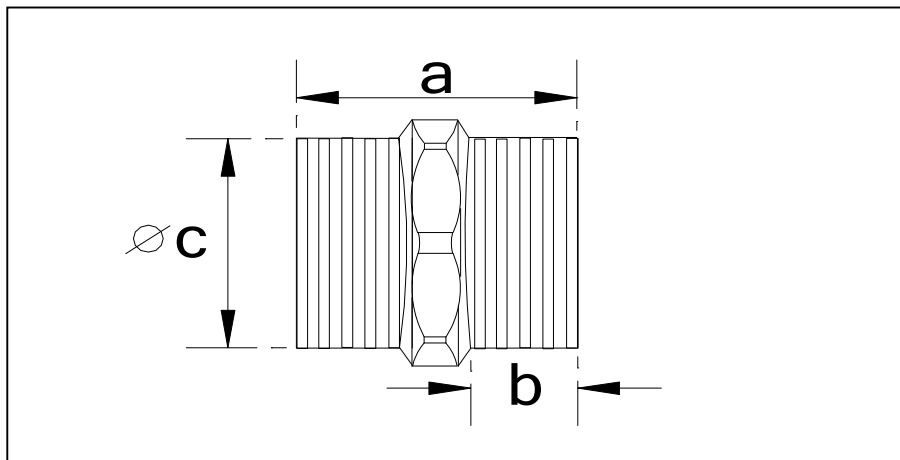
Explosion protection : Ex II2 G Exd IIC T6
 : Ex II2D Ex tD A21 IP66
 Compliance with : IEC60079-0/- 1
 Degree of protection : IP 66 acc. To EN 60529/ IEC 60529
 Protection class for UL. : Class I, Division 1 or 2 Group.C,D
 : Class II, Division 1 or 2 Groups.E,F,G



SPECIFICATION

Body : Brass (Chromium plated)
 Size : 1/2" to 2" NPT

CATALOGUE NUMBER AND DIMENSION IN MM.



Conduit Size	Cat.,No.	Dimension in mm.		
		a	b	∅ c
1/2"	ENP1	34	13	12
3/4"	ENP2	38	14	17
1"	ENP3	54	19	24
1.1/4"	ENP4	55	21	28
1.1/2"	ENP5	55	22	33
2"	ENP6	80	30	45