



A QUALITY PRODUCT



HAZARD:GARD H.I.D LIGHTING FIXTURES

INTEGRAL BALLAST FACTORY SEALED

EXPLOSION PROOF DH SERIES

TECHNICAL DATA

Type of Protection	: Exn R II, Temperature class depends on lamp power
Conforming to	: Standards IEC 60079 - 15
Marking for test	: Ex II3 G
Degree of Protection	IP 65
Ambient Temp. (Ta)	: -20° C to + 55° C
Rated Voltage	: 220-240V.AC. 50/60Hz.
Lamp holder	: E27 , E40
Transparent cover	: Borosilicate glass
Protection class for UL.	: Class I, Division 2 Group.C,D : Class II, Division 1 or 2 Groups.E,F,G
Protection class for IEC	: Zone 2

SPECIFICATION

Body and ballast housing	: Copper-Free aluminum
Globe	: Heat and impact resistant glass
Guard	: Stainless steel
Reflector	: sheet Chromium plated or epoxy-polyester white color
Sealing gasket	: Silicone -40° C to +175° C

OPTIONS:

add Suffix Cat.,No.

: External reflector aluminium

- R

: Basket guard Stainless steel

- S

CATALOGUE NUMBERS

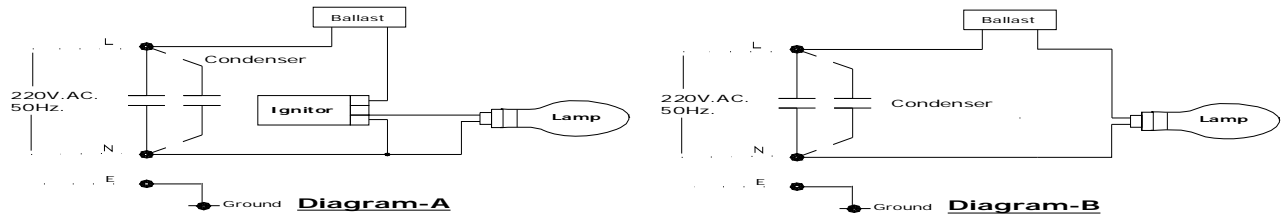
Lamp Type	Lamp Watts	Hub Size NPT.(inch)	wiring Diagram	Temp.Class		Catalogue Number						Lamp Holders.
				(Surface Temp.)		Pendant	Weight kgs.	Stanchion	Weight kgs.	Bracket	Weight kgs.	
				40 C Ta	55 C Ta							
Mercury Vapor	80	1/2"	Diagram-B	T5	T4	DHV 80P	7.20	DHV 80S	7.80	DHV 80B	7.800	E 27
	125	1/2"	Diagram-B	T5	T4	DHV 125P	7.48	DHV 125S	8.080	DHV 125B	7.480	E 27
	250	3/4"	Diagram-B	T4	T4	DHV 250P	16.80	DHV 250S	17.45	DHV 250B	16.80	E 40
	400	3/4"	Diagram-B	T4	T3	DHV 400P	21.00	DHV 400S	21.50	DHV 400B	21.00	E 40
High Pressure Sodium	70	1/2"	Diagram-B	T5	T5	DHS 70P	7.45	DHS 70S	8.05	DHS 70B	8.05	E 27
	150	3/4"	Diagram-A	T5	T5	DHS 150P	16.88	DHS 150S	17.48	DHS 150B	16.88	E 40
	250	3/4"	Diagram-A	T4	T4	DHS 250P	17.08	DHS 250S	18.18	DHS 250B	17.08	E 40
	400	3/4"	Diagram-A	T4	T3	DHS 400P	21.48	DHS 400S	21.98	DHS 400B	21.48	E 40
Metal Halide	250	3/4"	Diagram-A	T4	T4	DHH 250P	17.08	DHH 250S	18.18	DHH 250B	17.08	E 40
	400	3/4"	Diagram-B	T4	T3	DHH 400P	21.48	DHH 400S	21.98	DHH 400B	21.48	E 40
Mercury	160	1/2"	-	T4A	T4A	DHT 160P	7.45	DHT 160S	8.05	DHT 160B	8.05	E 27
Tungsten	250	3/4"	-	T3C	T3C	DHT 250P	17.08	DHT 250S	21.98	DHT 250B	17.08	E 40



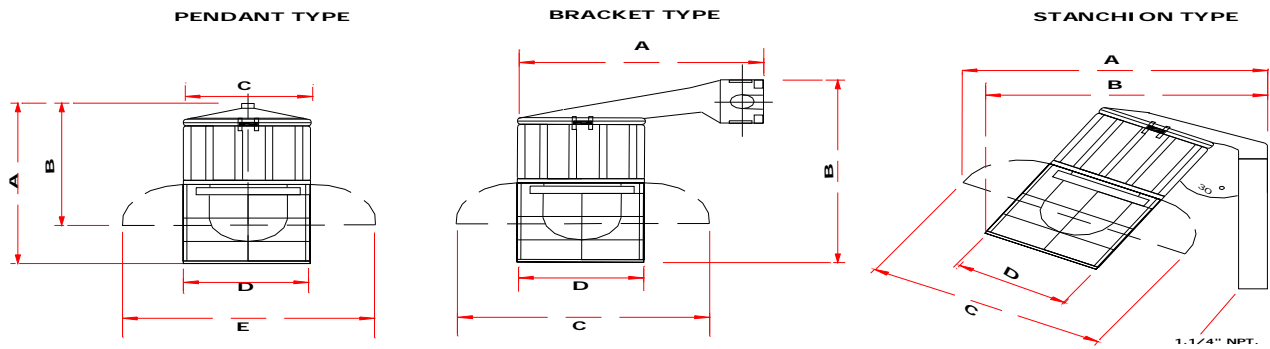
**HAZARD:GARD H.I.D LIGHTING FIXTURES
INTEGRAL BALLAST FACTORY SEALED
EXPLOSION PROOF DHI SERIES**

WIRING DIAGRAM

Wiring Diagram:



DIMENSION IN MM



Lamp watts	Pendant Type					Bracket Type				Stanchion Type			
	A	B	C	D	E	A	B	C	D	A	B	C	D
Mercury Vapor													
80,125w.	438	335	225	165	364	310	458	364	165	485	470	364	165
250w.	460	397	260	205	364	332	485	364	205	475	455	364	205
400w.	525	420	340	285	475	460	535	475	285	590	400	475	285
High Pressure Sodium													
70w.	438	335	225	165	364	310	458	364	165	485	470	364	165
150,250w.	460	397	260	205	364	332	485	364	205	475	455	364	205
400w.	525	420	340	285	475	460	535	475	285	590	400	475	285
Metal Halide													
250w.	438	397	260	165	364	332	485	364	205	475	455	364	205
400w.	590	420	340	285	475	460	535	475	285	590	400	475	285
Mercury Tungsten													
160w.	438	335	225	165	364	310	458	364	165	485	470	364	165
250w.	460	397	260	205	364	332	535	364	205	475	400	364	205